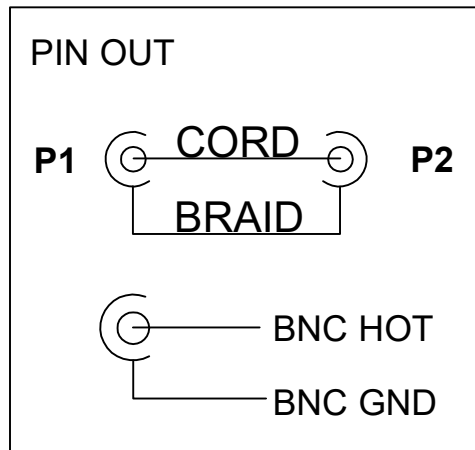


Part Number	Length(L)	Label contents (D)
BNCPP-174U0050E	500 ⁺⁵⁰ ₋₀	BNCPP-174U0050E
BNCPP-174U0100E	1000 ⁺⁷⁵ ₋₀	BNCPP-174U0100E
BNCPP-174U0150E	1500 ⁺⁷⁵ ₋₀	BNCPP-174U0150E
BNCPP-174U0200E	2000 ⁺⁷⁵ ₋₀	BNCPP-174U0200E
BNCPP-174U0300E	3000 ⁺⁷⁵ ₋₀	BNCPP-174U0300E
BNCPP-174U0500E	5000 ⁺¹⁵⁰ ₋₀	BNCPP-174U0500E



F	Copper foil	8MM*50MM -LF-	
E	Inner mold	LDPE -HF-	Transparent
D	Tube	UL/CSA φ1.5 -HF-	Black
C	Outer mold	PVC 45P -LF-	Black
B	Plug	BNC Male, Soldering type, 50 ohm -LF-	
A	Cable	RG174A/U #26*1C(7/0.16)+PE INSULATION+BRAID(16*4/0.12) OD:3.0 -LF-	Black
NO	Material	Part NO./Spec.	Color

Unit : mm Approved Checked Designer Description **BNC M TO BNC M**

Part NO: BNCPP-174UXXXE